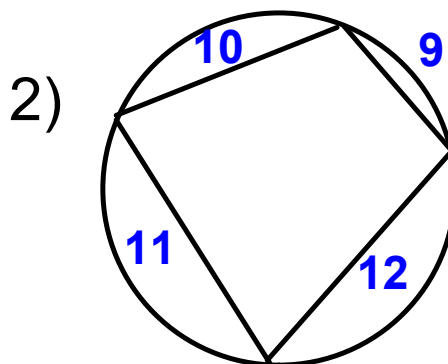
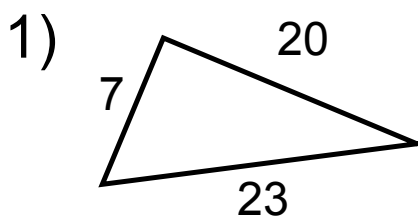
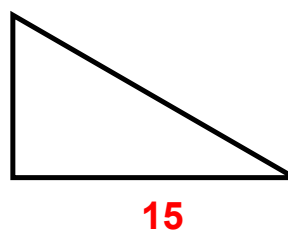
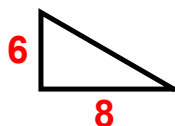


Warm-up

Find the area. Leave your answers in simplest radical form.



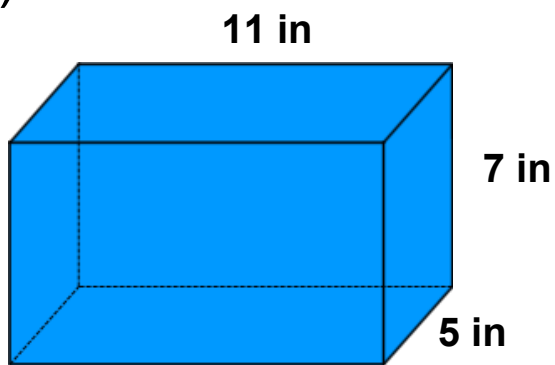
3) Find the ratio of the areas of the similar triangles.



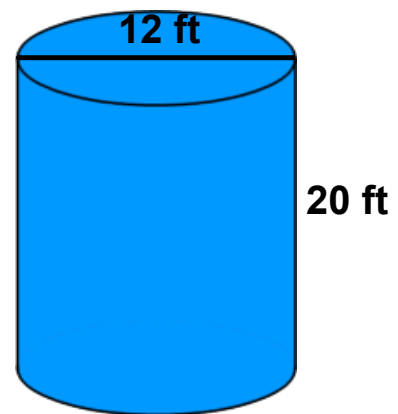
Examples

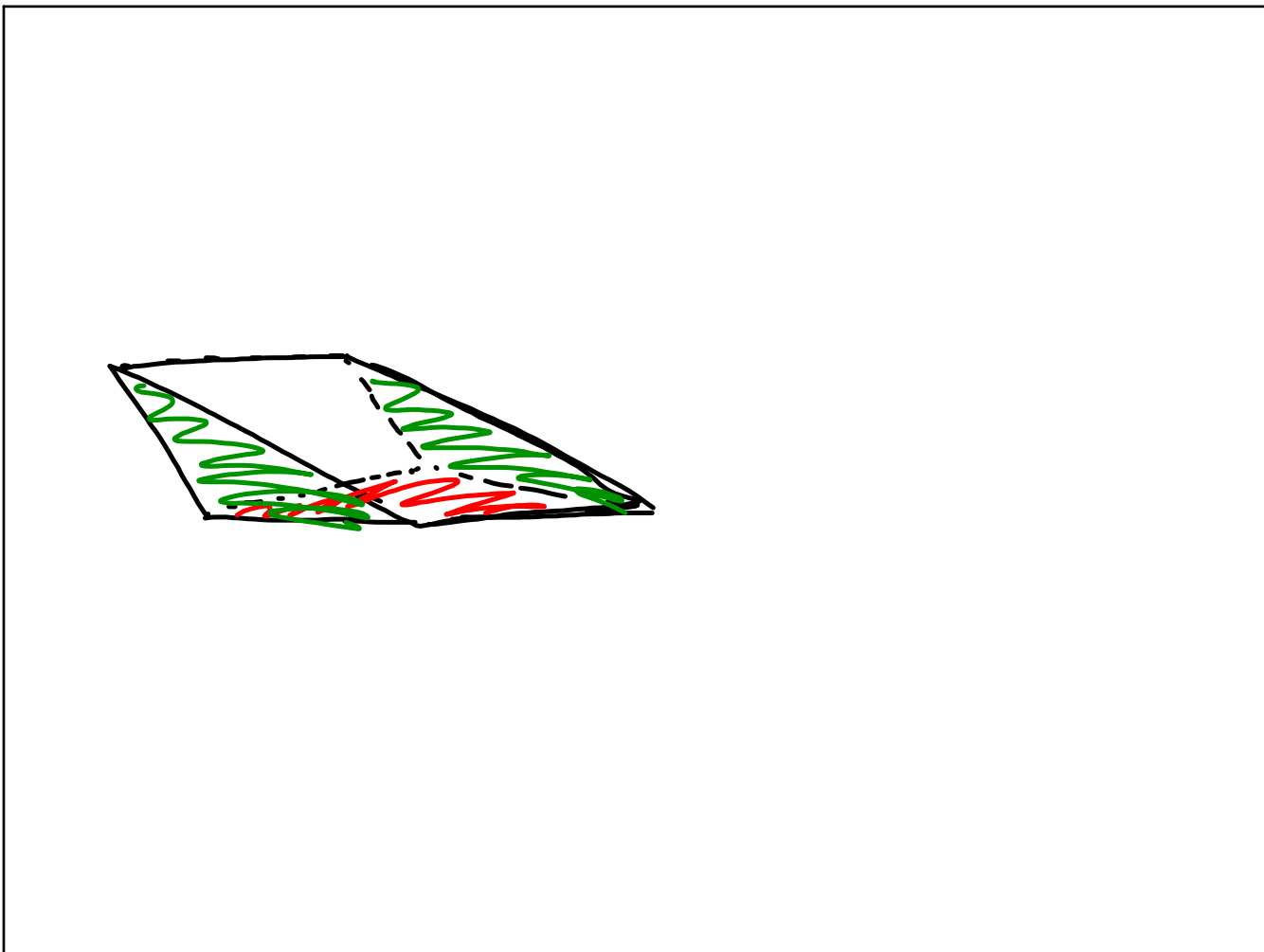
Find the volume of each figure to the nearest tenth.

1)



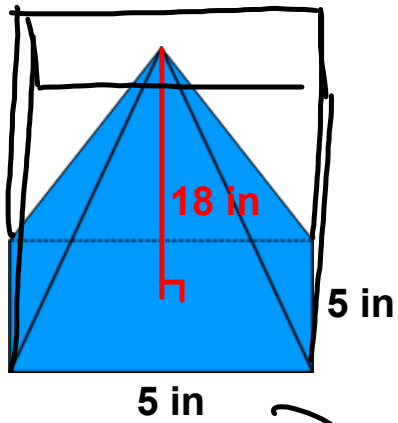
2)



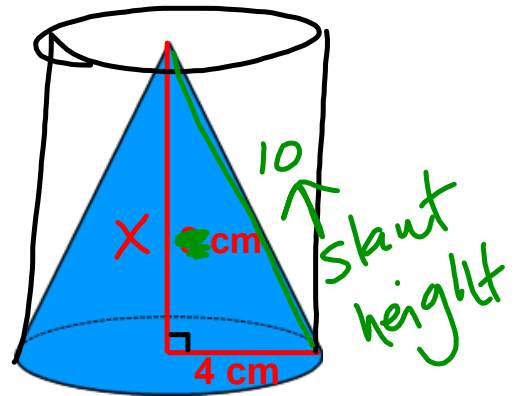




3)



4)



Pyr. / Cone
 $V = \frac{1}{3} B \cdot h$
 ↑
Area of Base

Classwork

p. 579 #1, 3 - 6 (Volume ONLY), 10a,

12, 14, 16, ~~17~~

p. 585 #1, 2, 3a, 4, 5a, ~~6~~ 9

Homework

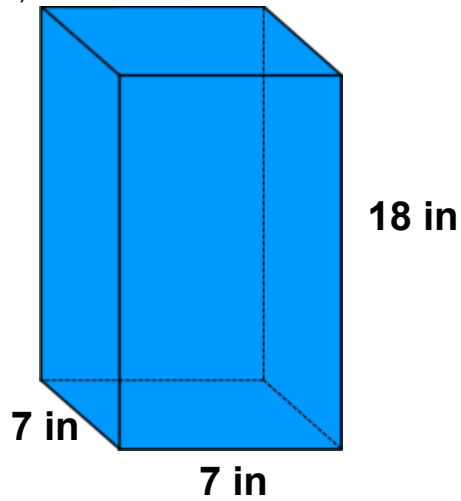
~~Watch Volume of Spheres Video~~

~~and make index card~~

Exit Slip

Find the volume.

1)



2)

